

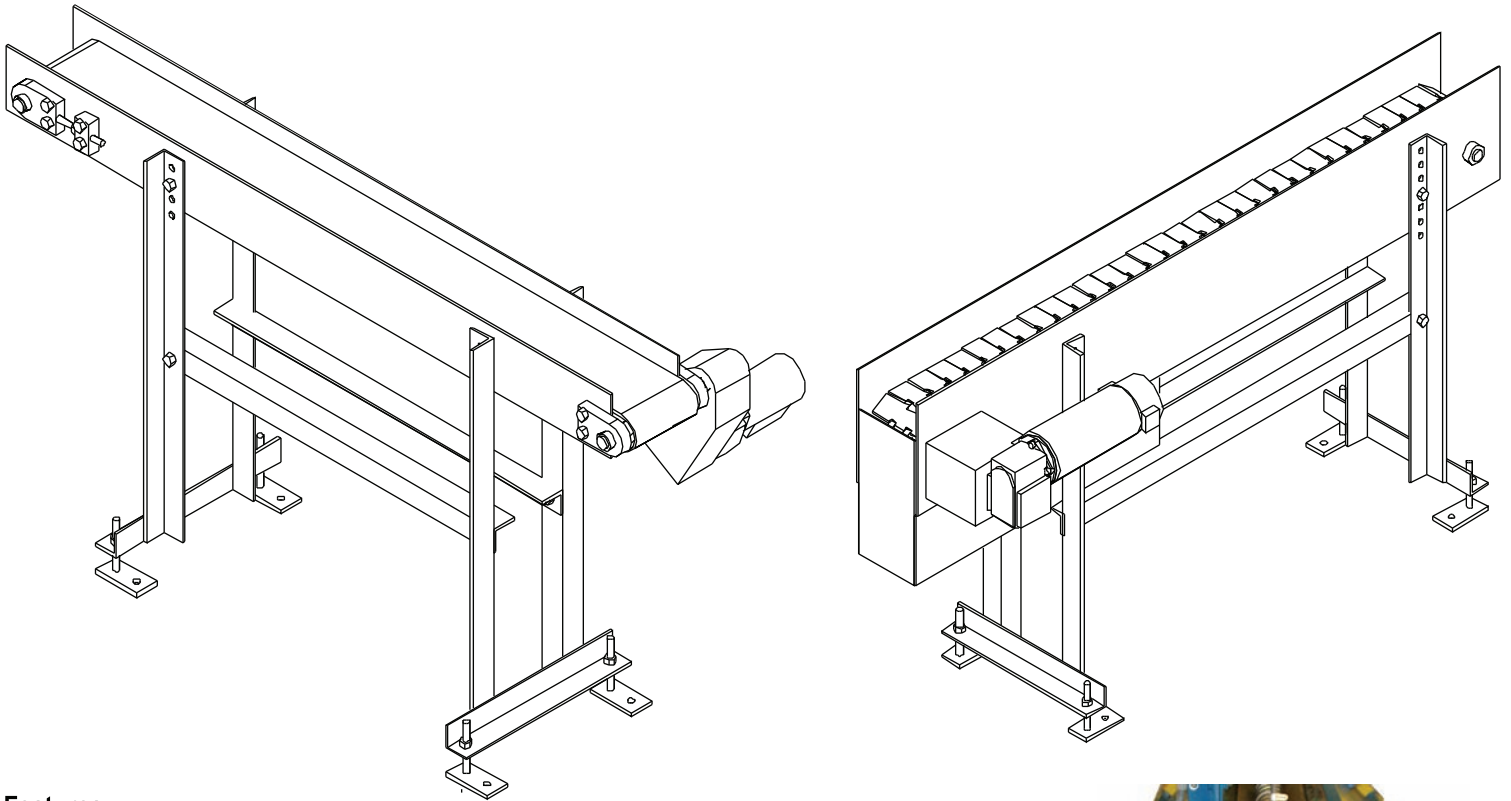


ADVANCED AUTOMATION SOLUTIONS

Advanced Automation for your Innovative Conveying Solutions

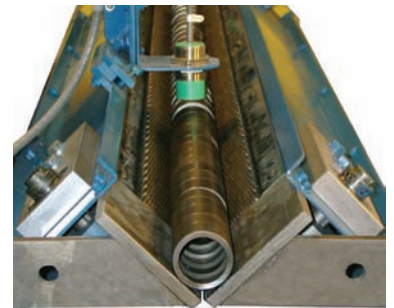
We are proud to offer unique conveying solutions to meet your material handling needs. All of our versatile conveyor products are sized and configured to suit your specific requirements. Our unique conveying philosophy strives to offer new horizons in the design flexibility of conveyor systems.

Advanced Automation Solutions is dedicated to offering courteous and timely responses to our customer's needs. Furnishing quality equipment at competitive pricing. No project is too big or too small. Put us to the test. Our sales and engineering personnel are ready to assist you in all your automation needs.



Features:

- *Transport any size from small to large product
- *Transport product horizontal, inclined, straight or curved
- *Wide variety of belt and chain types: flat, cleated, round, vee, mattop, tabletop, moveable sidewalls
- *Low profile, modular, light duty, heavy duty, extra heavy duty
- *Multiple drive configurations
- *Fixed or adjustable side guides
- *Positive guided belting
- *Precision ball bearings
- *Promised on time quality design and construction



Advanced Automation Solutions
504 Stoneridge Blvd.
Asheville, NC 28804



Phone: (828) 484-8110
Fax: (828) 484-8115
Office@advancedautomationsolutions.com
www.advancedautomationsolutions.com