

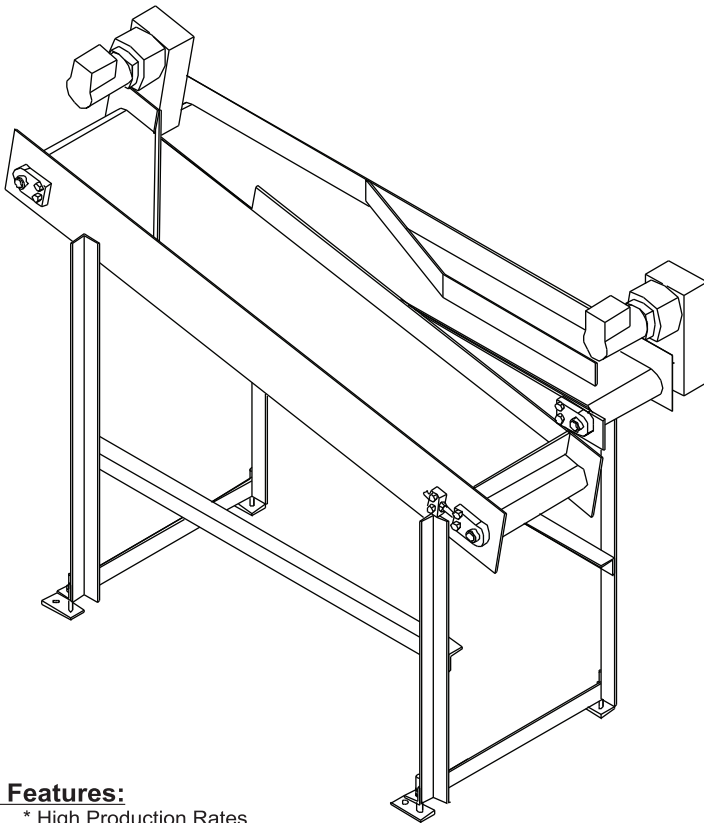


ADVANCED AUTOMATION SOLUTIONS

Low profile - BI-Directional Belt Feeder with reservoir conveyor

Our low profile series belt feeder provides the ultimate solution in producing high production rates, with extremely gentle parts handling and minimal noise level.

Separate bulk supply loads product into reservoir conveyor as required. Product is conveyed on inclined reservoir conveyor, gently transferring parts on to horizontal orientor conveyor, traveling in the opposite direction. Parts transfer along tooling wall, mis-oriented parts are guided off orientor tooling, gently sliding into reservoir conveyor for part recirculation. Correctly oriented parts pass through orientor tooling discharging off end of orientor conveyor.



Features:

- * High Production Rates
- * Floor area space saving
- * Gentle feed operation (one of the most gentle feeders available)
- * Easily accessible adjustable tooling to accommodate a wide range of parts
- * Conveyor construction varies dependent upon application (typically Belt, plastic or steel Chain)

Options:

- * AC Motor 120Volt or 230/460 Volt 3-Ph drives
- * DC Motor adjustable speed control
- * Right hand or left hand discharge
- * Manual purge gate to quickly empty the system for change over
- * Enclosure package to help prevent contaminates

System Benefits:

- * Economical automation
- * Quiet non-vibratory operation
- * Reduces manual labor
- * Allows increased production
- * Eliminates hazardous manual handling/loading

Advanced Automation Solutions is dedicated to offering courteous and timely responses to our customer's needs. Furnishing quality equipment at competitive pricing. No project is to big or to small. Put us to the test. Our sales and engineering personnel are ready to assist you in all your automation needs.

Advanced Automation Solutions
504 Stoneridge Blvd.
Asheville, NC 28804



Phone: (828) 484-8110

Fax: (828) 484-8115

Office@advancedautomationsolutions.com

www.advancedautomationsolutions.com